



Open Racks  
**RR - 1367 Series**



### **Design Features**

Extra-sturdy racks made of 14 & 12 gauge steel.  
Eight-inch deep welded "U" member and triangular bracket hold uprights to base (12 ga).  
Panel mounting rails tapped #10-32 on E.I.A. universal spacing. (Use #7346 screws - order separately)  
Chassis type base, 20.87 x 26.00", drilled for RC-7758 casters. Racks may be bolted together in Add-A-Rack fashion.  
Finish: Metallic Gray and Black Texture  
Racks are shipped knocked down in two (2) cartons, with all necessary hardware included.

### **Features**

Racks are shipped knocked down in two (2) cartons, with all necessary assembly hardware included.

### **Finishes**

Finish: Black Texture (BT) and Metallic Grey

RR-1367 Series					
Catalog Number	Drawings	Panel Space	Height	Width	Weight Lbs.
RR-1367		61.25" x 19.00"	64.62"	20.87"	74
RR-1368		70.00" x 19.00"	73.37"	20.87"	77
RR-1369		77.00" x 19.00"	80.37"	20.87"	81



PART NAME

OPEN RELAY RACK

PART No.

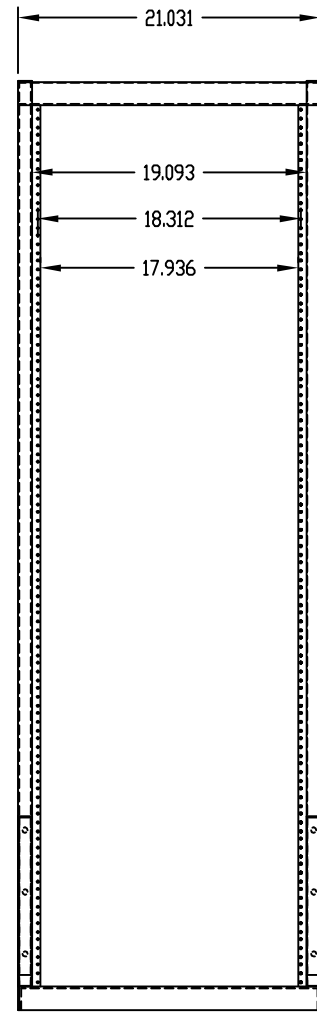
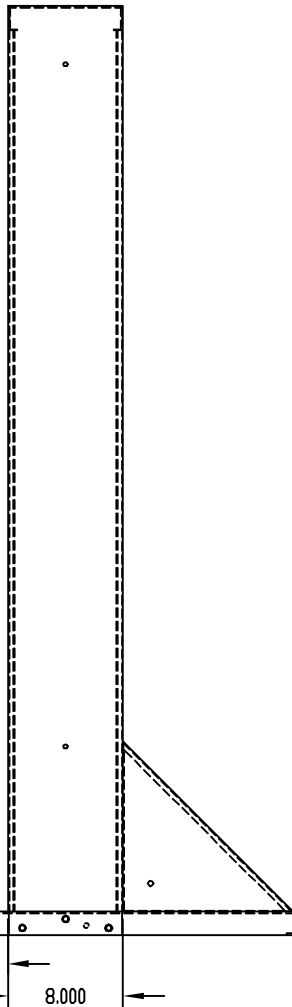
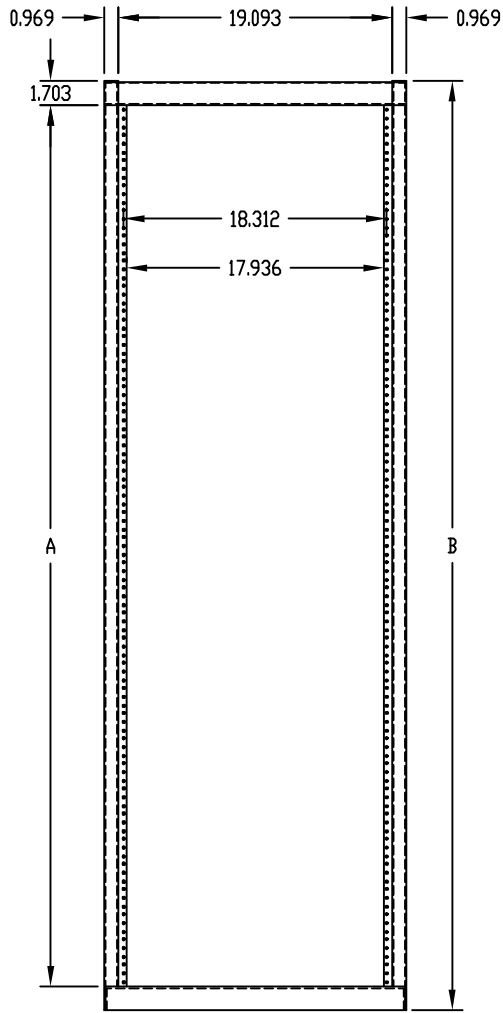
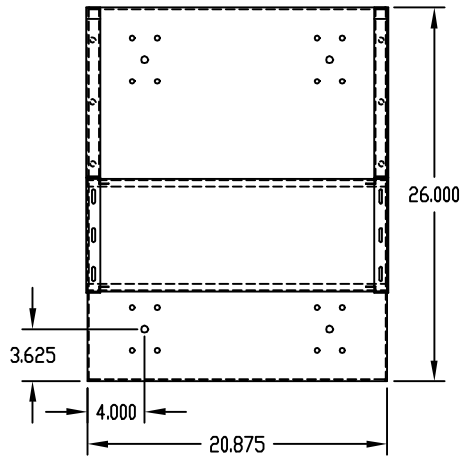
RR-1367 TO RR-1369

**MATERIAL:**

BASE \_\_\_\_\_ 12 GA. STEEL  
 SUPPORT ANGLE & RAIL ASSEMBLY \_\_\_\_\_ 14 GA. STEEL

**FINISH:** METALLIC GRAY OR  
 BLACK TEXTURED

PANEL MOUNTING FLANGES RECESSED 3/8 IN. AND  
 TAPPED #10-32 ON E.I.A. UNIVERSAL SPACING.  
 MOUNTING HOLES PIERCED IN BASE FOR #RC-7758 CASTERS.  
 UNIT SHIPPED UNASSEMBLED.



PART No.	A	B
RR-1367	61.375	64.703
RR-1368	70.125	73.453
RR-1369	77.125	80.453